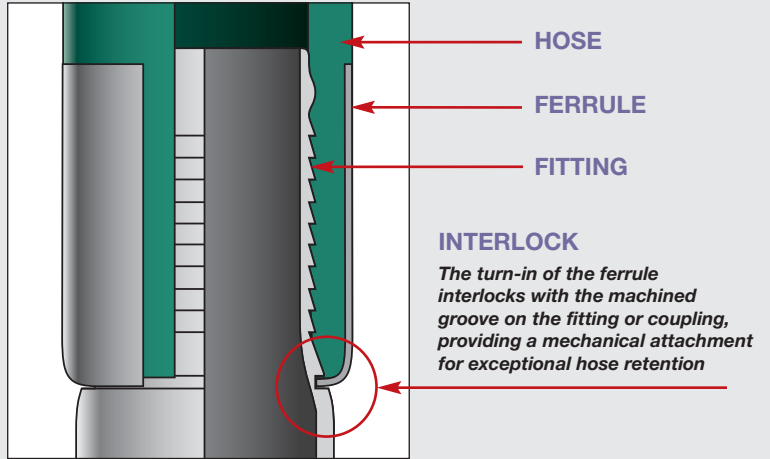


**CampbellCrimpnology™ ...  
the only comprehensive package of  
crimping products in the industry!**



## CampbellCrimpnology™

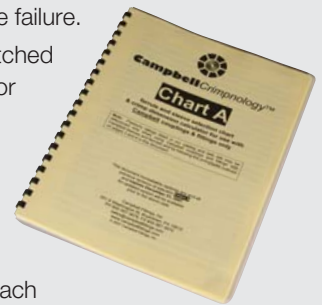
Crimpnology refers to all of the technology involved in crimping: the integrated design of every fitting, coupling, ferrule, and sleeve; the crimp procedures; crimp specifications; and crimp training & support.



## Features and Benefits

Crimpnology offers the following “7 Essentials” for crimping safe, repeatable, performance-rated hose systems:

- Interlock groove on all fittings and couplings is compatible with the turn-in end of the ferrule to ensure a 360° ferrule-to-fitting interlock.
- Serrations specifically designed for crimping provide maximum hose retention without potential tube failure.
- Shank length and ferrule/sleeve length are matched to maximize retention and to avoid hose tube or cover damage.
- Detailed assembly procedures are provided, including information to ensure use of compatible components.
- Detailed crimping procedures (right) ensure appropriate crimp specification is derived for each hose and fitting combination.



- On-site crimping training by a Hose System Specialist, including a CD/video for review (left), is offered by Campbell to assist distributor personnel.
- A daytime, toll-free “hotline” is manned by a Campbell Hose System Specialist to assist in all aspects of training.

### FERRULE & SLEEVE PART NUMBERING

PRODUCT	MATERIAL	FERRULE/SLEEVE I.D.
F = Ferrule	PS = Plated Steel	216 = 2-16/64"
S = Sleeve	SS = Stainless Steel	340 = 3-40/64"

**F PS 150 216 L**

**NOMINAL HOSE SIZE**  
150 = 1-1/2"  
200 = 2"

**NON-STANDARD LENGTH**  
L = Long  
S = Short

## Performance-Rated

All Campbell pressure ratings are established and verified by hydrostatic testing to a 4X safety factor where applicable (see page 1 for pressure rating information). Test data and information regarding various combinations of hoses and fittings are available upon request.

Note: Campbell sleeves may be used on non-Campbell fittings. We cannot provide crimp specifications or recommend working pressures for non-Campbell parts. The pressure ratings in this catalog are valid only when using all Campbell parts. For safety and quality assurance, always proof test hose assembly according to NAHAD guidelines.

**FERRULES**  
 for use with products shown below only:

**WARNING: NOT FOR USE WITH STEAM**



**Long Crimpnology Nipples**  
 (page 11)



**Viton Seal Ground Joints and Male Stems**  
 (page 19)



**Plated Steel**

hose size	ferrule i.d.	part number	list each
1/2	1	FPS050100S	7.48
1/2	1-4/64	FPS050104S	7.48
1/2	1-8/64	FPS050108S	7.48
3/4	1-16/64	FPS075116	7.48
3/4	1-20/64	FPS075120	7.48
3/4	1-24/64	FPS075124	7.48
3/4	1-28/64	FPS075128	7.48
3/4	1-32/64	FPS075132	7.48
1	1-32/64	FPS100132	9.86
1	1-36/64	FPS100136	9.86
1	1-40/64	FPS100140	9.86
1	1-44/64	FPS100144	9.86
1	1-48/64	FPS100148	9.86
1	1-52/64	FPS100152	9.86
1-1/4	1-52/64	FPS125152L	13.21
1-1/4	1-56/64	FPS125156L	13.21
1-1/4	1-60/64	FPS125160L	13.21
1-1/2	1-60/64	FPS150160L	15.81
1-1/2	2	FPS150200L	15.81
1-1/2	2-4/64	FPS150204L	15.81
1-1/2	2-8/64	FPS150208L	15.81
1-1/2	2-12/64	FPS150212L	15.81
1-1/2	2-16/64	FPS150216L	15.81
1-1/2	2-20/64	FPS150220L	15.81
1-1/2	2-24/64	FPS150224L	15.81
2	2-32/64	FPS200232L	19.20
2	2-36/64	FPS200236L	19.20
2	2-40/64	FPS200240L	19.20
2	2-44/64	FPS200244L	19.20
2	2-48/64	FPS200248L	19.20
2	2-52/64	FPS200252L	19.20
2	2-56/64	FPS200256L	19.20
2	2-60/64	FPS200260L	19.20
2-1/2	3-8/64	FPS250308L	26.40
2-1/2	3-12/64	FPS250312L	26.40
2-1/2	3-16/64	FPS250316L	26.40
2-1/2	3-20/64	FPS250320L	26.40
2-1/2	3-28/64	FPS250328L	26.40
3	3-36/64	FPS300336L	27.07
3	3-40/64	FPS300340L	27.07
3	3-44/64	FPS300344L	27.07
3	3-48/64	FPS300348L	27.07
3	3-52/64	FPS300352L	27.07
3	3-56/64	FPS300356L	27.07
3	3-60/64	FPS300360L	27.07
3	4	FPS300400L	27.07
4	4-40/64	FPS400440L	36.75
4	4-44/64	FPS400444L	36.75
4	4-48/64	FPS400448L	36.75
4	4-52/64	FPS400452L	36.75
4	4-56/64	FPS400456L	36.75
4	4-60/64	FPS400460L	36.75
4	5	FPS400500L	36.75
4	5-4/64	FPS400504L	36.75



**FERRULES (light duty)**  
 for use with couplings shown below only:



**All Campbell Universals**  
 (page 25)



**UniversaLock**  
 (page 25)



**Single-Lock (Bowes)**  
 (page 26)



**Double-Lock (Thor)**  
 (page 26)



**Plated Steel**

hose size	ferrule i.d.	part number	list each
1/2	58/64	FLPS050058	1.02
1/2	60/64	FLPS050060	1.02
3/4	1-8/64	FLPS075108	1.30
3/4	1-10/64	FLPS075110	1.30
3/4	1-12/64	FLPS075112	1.30
3/4	1-14/64	FLPS075114	1.30
3/4	1-16/64	FLPS075116	1.30
3/4	1-18/64	FLPS075118	1.30
1	1-28/64	FLPS100128	1.89
1	1-30/64	FLPS100130	1.89
1	1-32/64	FLPS100132	1.89
1	1-34/64	FLPS100134	1.89
1	1-36/64	FLPS100136	1.89

**304 Stainless**

1/2	58/64	FLSS050058	2.17
3/4	1-8/64	FLSS075108	2.51
3/4	1-12/64	FLSS075112	2.51
3/4	1-14/64	FLSS075114	2.51
3/4	1-16/64	FLSS075116	2.51
3/4	1-18/64	FLSS075118	2.51
1	1-28/64	FLSS100128	3.70
1	1-30/64	FLSS100130	3.70
1	1-32/64	FLSS100132	3.70
1	1-34/64	FLSS100134	3.70
1	1-36/64	FLSS100136	3.70